

## SWITCHING REGULATOR APPLICATIONS

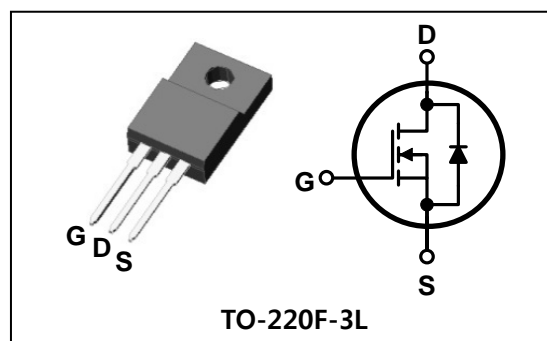
### Features

- High Voltage :  $V_{DSS}=600V(\text{Min.})$
- Low  $C_{RSS}$  :  $C_{RSS}=18pF(\text{Typ.})$
- Low gate charge :  $Qg=35nC(\text{Typ.})$
- Low  $R_{DS(on)}$  :  $R_{DS(on)}=0.75\Omega(\text{Max.})$

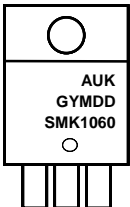
### Ordering Information

Type No.	Marking	Package Code
SMK1060F	SMK1060	TO-220F-3L

### PIN Connection



### Marking Diagram

	Column 1 : Manufacturer
	Column 2 : Production Information e.g.) GYMDD
	- . G : Factory management code - . YMDD : Date Code (year, month, date)
	Column 3 : Device Code

### Absolute maximum ratings ( $T_C=25^\circ\text{C}$ unless otherwise noted)

Characteristic	Symbol	Rating	Unit	
Drain-source voltage	$V_{DSS}$	600	V	
Gate-source voltage	$V_{GSS}$	$\pm 30$	V	
Drain current (DC) *	$I_D$	$T_C=25^\circ\text{C}$	10	A
		$T_C=100^\circ\text{C}$	5.8	A
Drain current (Pulsed) *	$I_{DM}$	38	A	
Power dissipation	$P_D$	40	W	
Avalanche current (Single) ②	$I_{AS}$	10	A	
Single pulsed avalanche energy ②	$E_{AS}$	480	mJ	
Avalanche current (Repetitive) ①	$I_{AR}$	10	A	
Repetitive avalanche energy ①	$E_{AR}$	11.6	mJ	
Junction temperature	$T_J$	150	$^\circ\text{C}$	
Storage temperature range	$T_{stg}$	-55~150		

\* Limited by maximum junction temperature

Characteristic	Symbol	Typ.	Max.	Unit
Thermal resistance	Junction-case	-	3.1	$^\circ\text{C}/\text{W}$
	Junction-ambient	-	62.5	

## Electrical Characteristics (T<sub>C</sub>=25°C unless otherwise noted)

Characteristic	Symbol	Test Condition	Min.	Typ.	Max.	Unit	
Drain-source breakdown voltage	BV <sub>DSS</sub>	I <sub>D</sub> =250μA, V <sub>GS</sub> =0V	600	-	-	V	
Gate threshold voltage	V <sub>GS(th)</sub>	I <sub>D</sub> =250μA, V <sub>DS</sub> =V <sub>GS</sub>	2.0	-	4.0	V	
Drain-source cut-off current	I <sub>DSS</sub>	V <sub>DS</sub> =600V, V <sub>GS</sub> =0V	-	-	1	μA	
Gate leakage current	I <sub>GSS</sub>	V <sub>DS</sub> =0V, V <sub>GS</sub> =±30V	-	-	±100	nA	
Drain-source on-resistance ④	R <sub>DS(on)</sub>	V <sub>GS</sub> =10V, I <sub>D</sub> =5.0A	-	0.60	0.75	Ω	
Forward transfer conductance ④	g <sub>fs</sub>	V <sub>DS</sub> =10V, I <sub>D</sub> =5.0A	-	8.0	-	S	
Input capacitance	C <sub>iss</sub>	V <sub>GS</sub> =0V, V <sub>DS</sub> =25V f=1 MHz	-	2000	2350	pF	
Output capacitance	C <sub>oss</sub>		-	160	215		
Reverse transfer capacitance	C <sub>rss</sub>		-	18	-		
Turn-on delay time	t <sub>d(on)</sub>	V <sub>DD</sub> =300V, I <sub>D</sub> =10A R <sub>G</sub> =25Ω	-	23	-	ns	
Rise time	t <sub>r</sub>		-	69	-		
Turn-off delay time	t <sub>d(off)</sub>		③④	-	144		-
Fall time	t <sub>f</sub>		-	77	-		
Total gate charge	Q <sub>g</sub>	V <sub>DS</sub> =480V, V <sub>GS</sub> =10V I <sub>D</sub> =10A	-	35	57	nC	
Gate-source charge	Q <sub>gs</sub>		③④	-	9		-
Gate-drain charge	Q <sub>gd</sub>		-	10	-		

## Source-Drain Diode Ratings and Characteristics (T<sub>C</sub>=25°C unless otherwise noted)

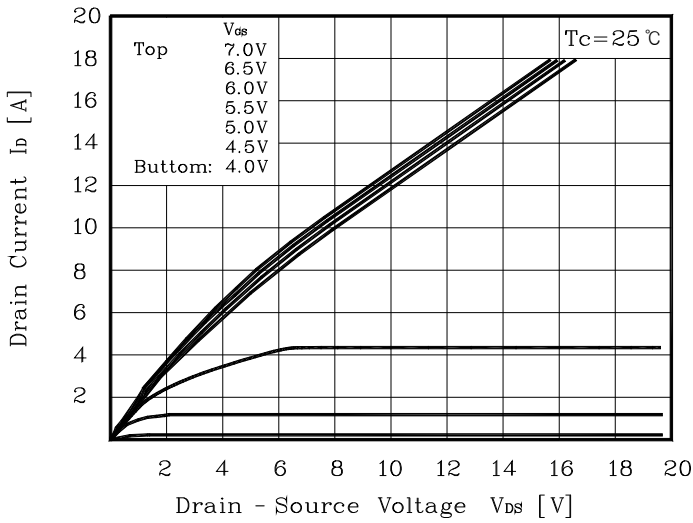
Characteristic	Symbol	Test Condition	Min.	Typ.	Max.	Unit
Source current (DC)	I <sub>S</sub>	Integral reverse diode in the MOSFET	-	-	10	A
Source current (Pulsed) ①	I <sub>SM</sub>		-	-	40	
Forward voltage ④	V <sub>SD</sub>	V <sub>GS</sub> =0V, I <sub>S</sub> =10A	-	-	1.4	V
Reverse recovery time	t <sub>rr</sub>	I <sub>S</sub> =10A, V <sub>GS</sub> =0V dI <sub>F</sub> /dt=100A/μs	-	470	-	ns
Reverse recovery charge	Q <sub>rr</sub>		-	6	-	μC

Note ;

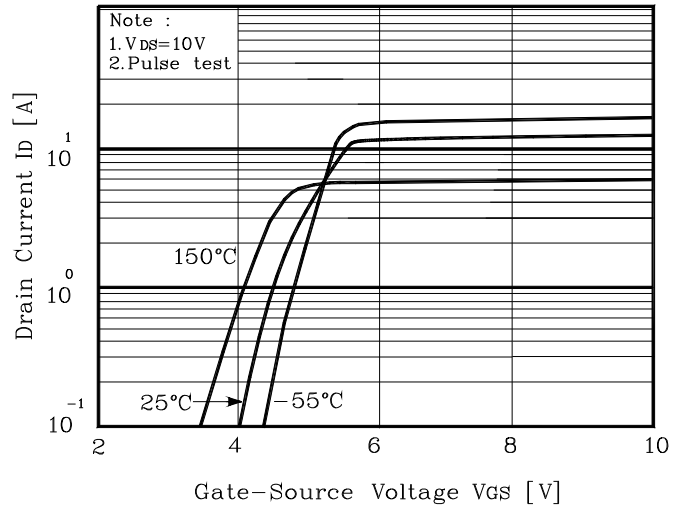
- ① Repetitive rating : Pulse width limited by maximum junction temperature
- ② L=10mH, I<sub>AS</sub>=9.5A, V<sub>DD</sub>=50V, R<sub>G</sub>=25Ω, Starting T<sub>J</sub>=25 °C
- ③ Pulse Test : Pulse width≤300μs, Duty cycle≤2%
- ④ Essentially independent of operating temperature

## Electrical Characteristic Curves

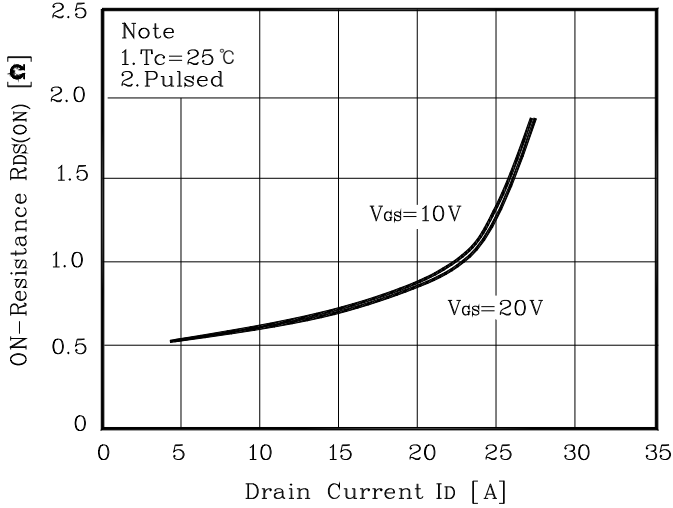
**Fig. 1  $I_D - V_{DS}$**



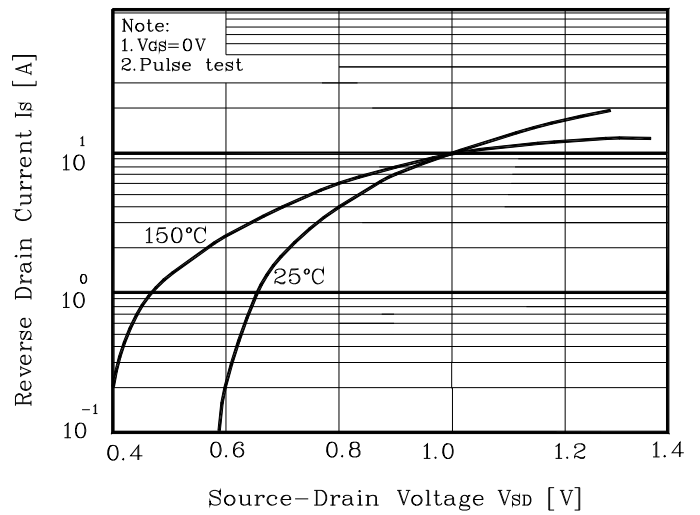
**Fig. 2  $I_D - V_{GS}$**



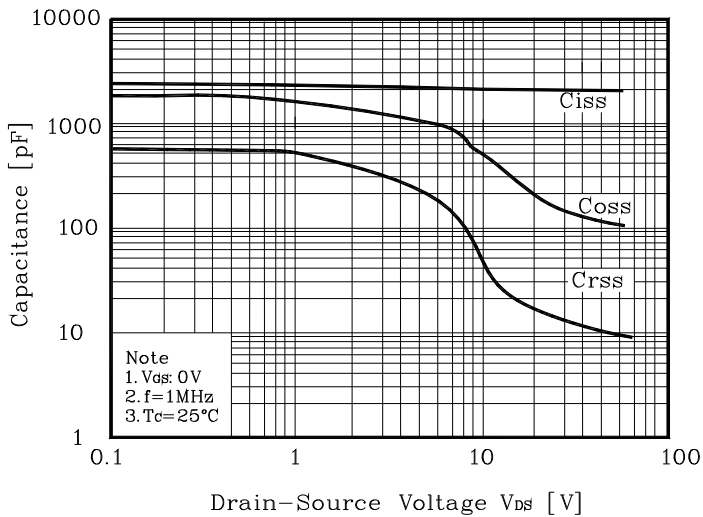
**Fig. 3  $R_{DS(on)} - I_D$**



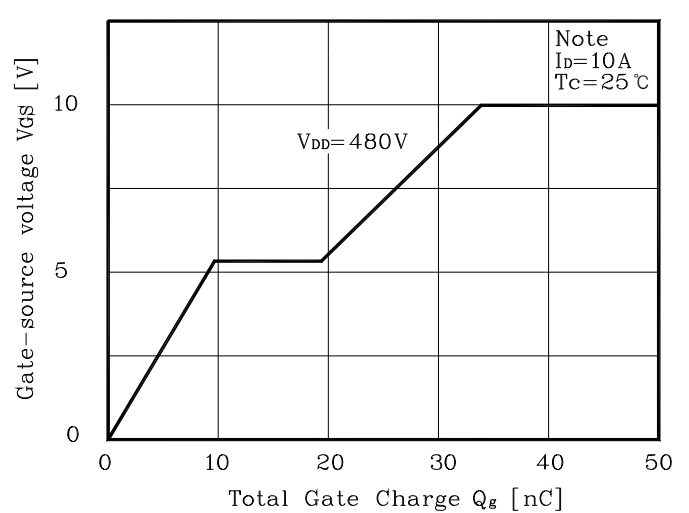
**Fig. 4  $I_S - V_{SD}$**



**Fig. 5 Capacitance -  $V_{DS}$**

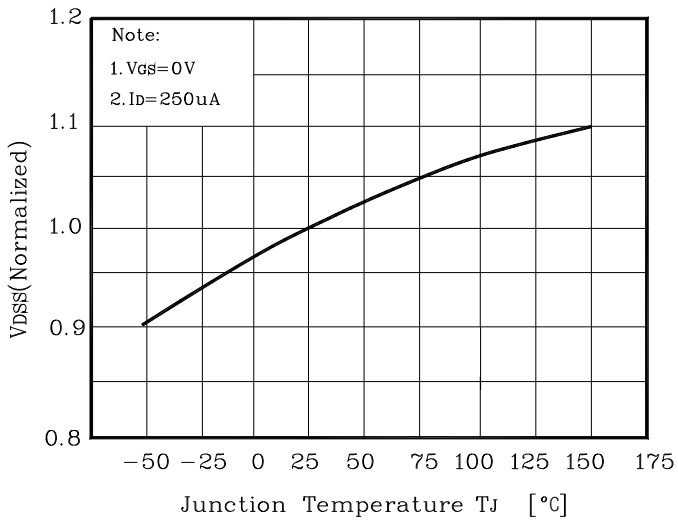


**Fig. 6  $V_{GS} - Q_g$**

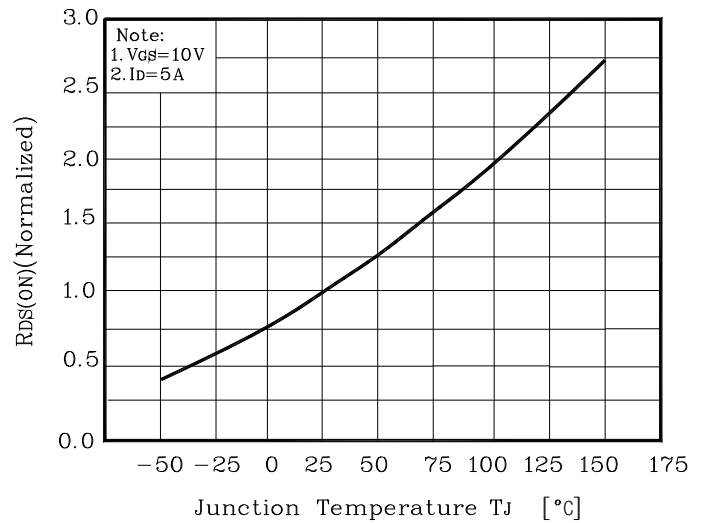


## Electrical Characteristic Curves

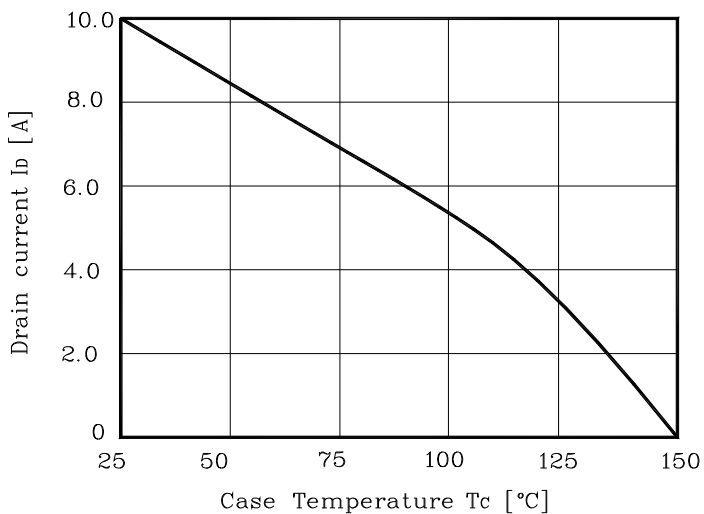
**Fig. 7  $V_{DSS} - T_J$**



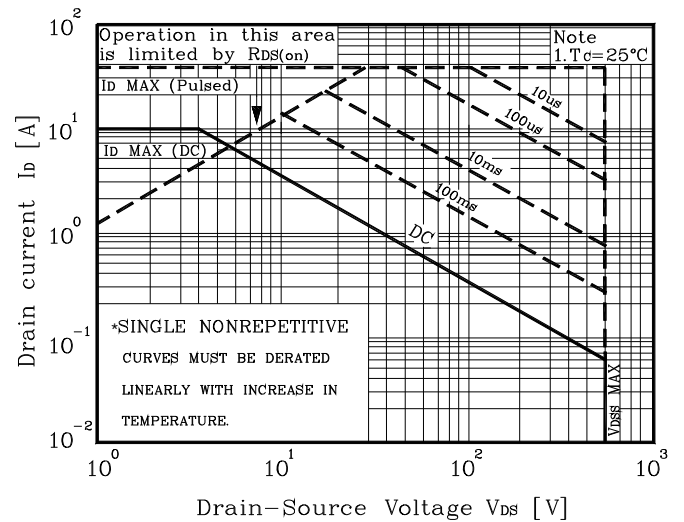
**Fig. 8  $R_{DS(on)} - T_J$**



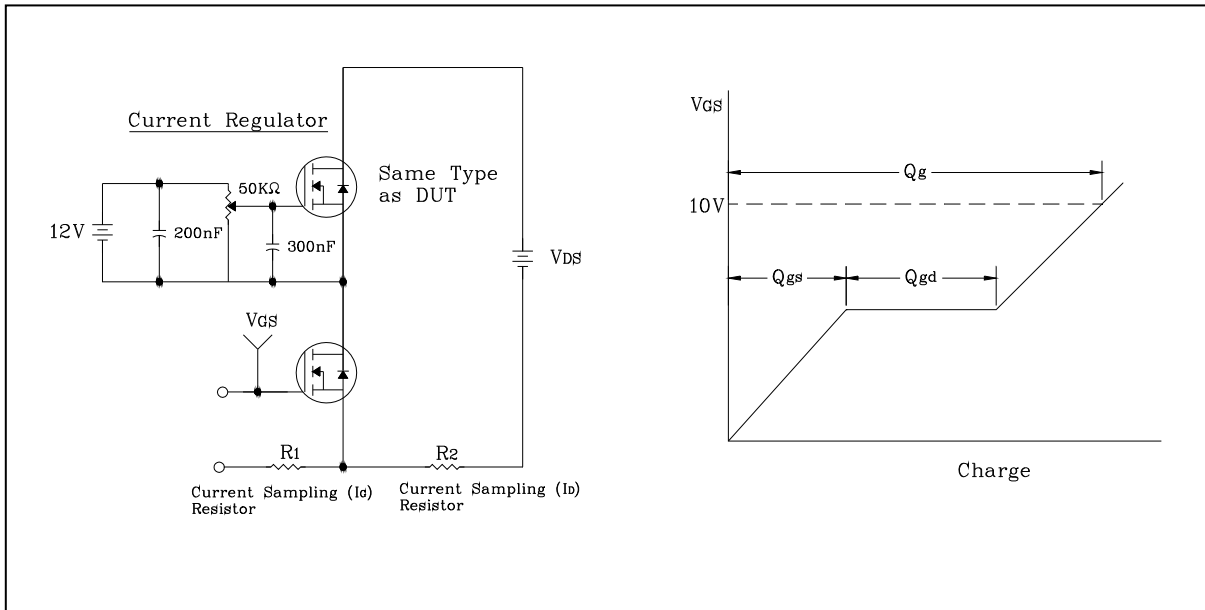
**Fig. 9  $I_D - T_C$**



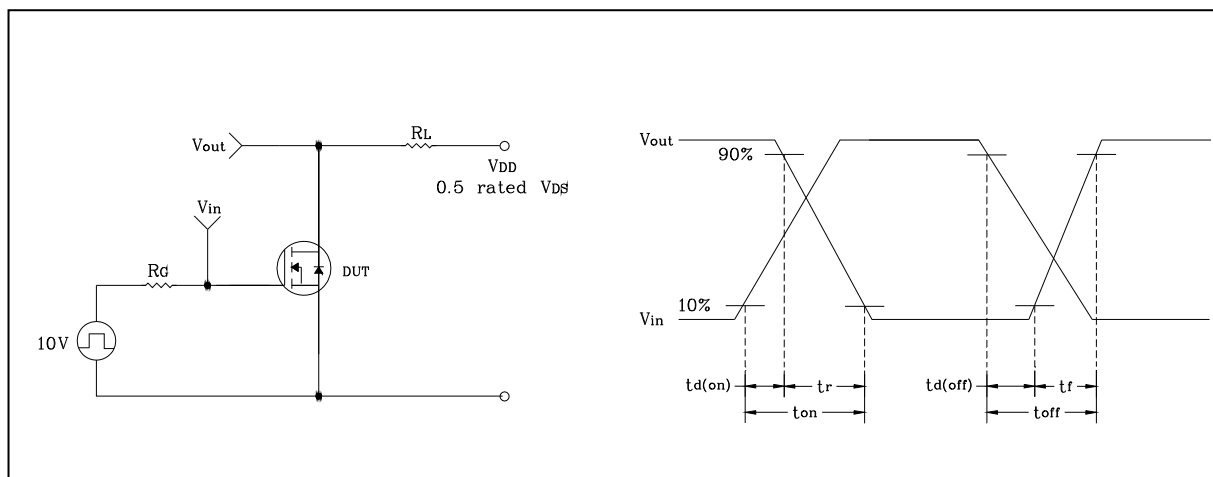
**Fig. 10 Safe Operating Area**



**Fig. 11 Gate Charge Test Circuit & Waveform**



**Fig. 12 Resistive Switching Test Circuit & Waveform**



**Fig. 13 E<sub>AS</sub> Test Circuit & Waveform**

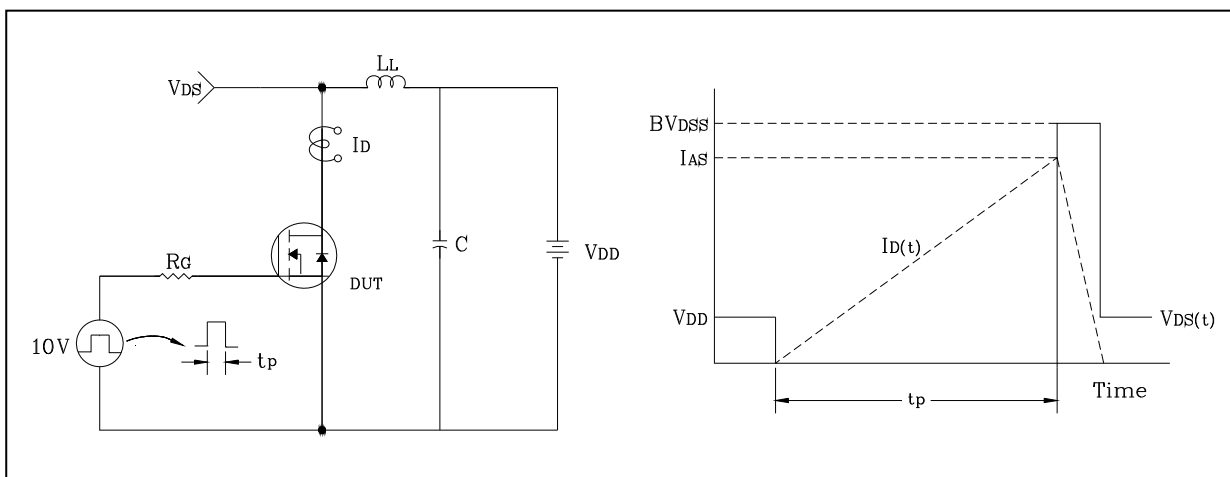
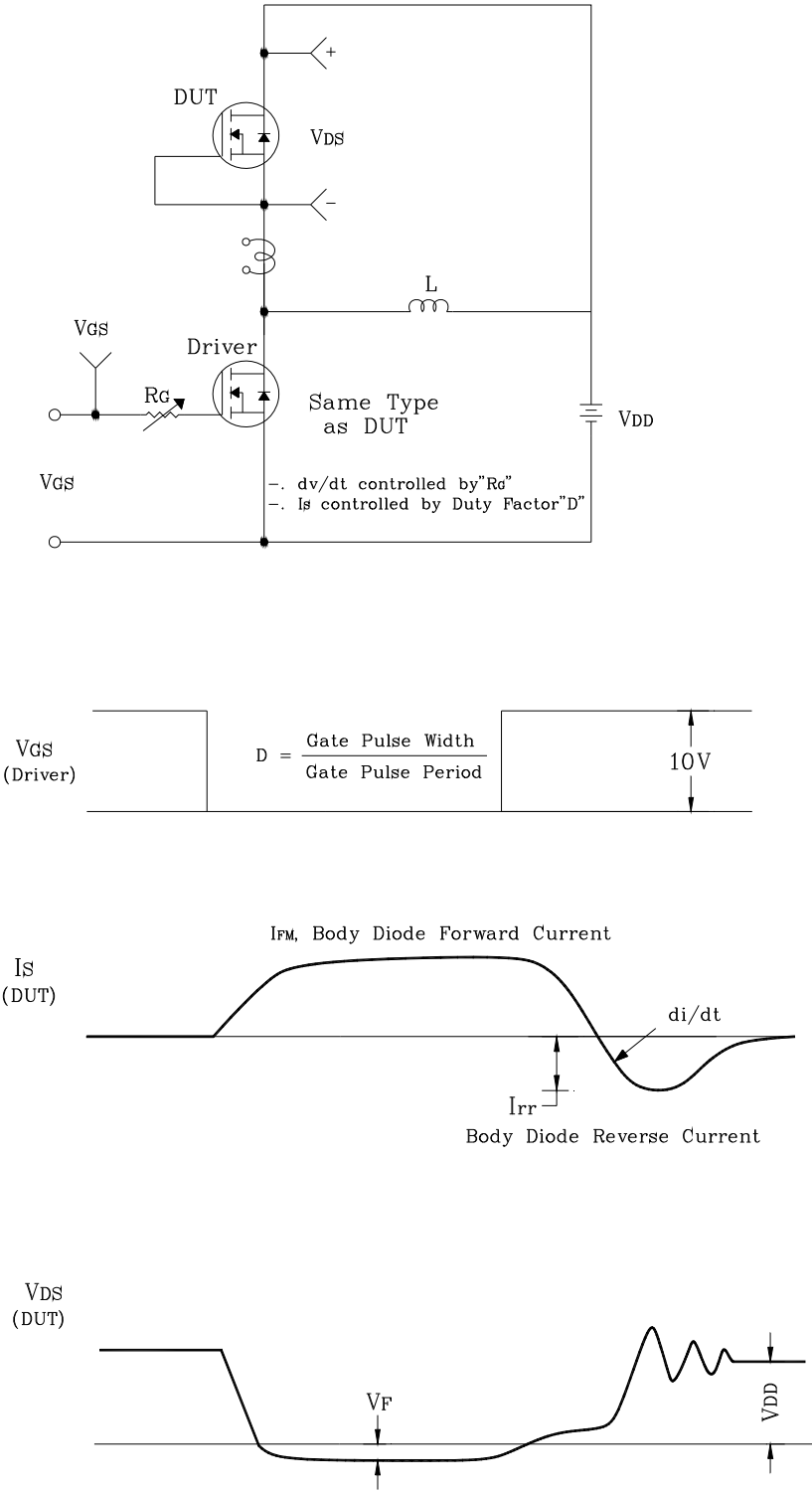
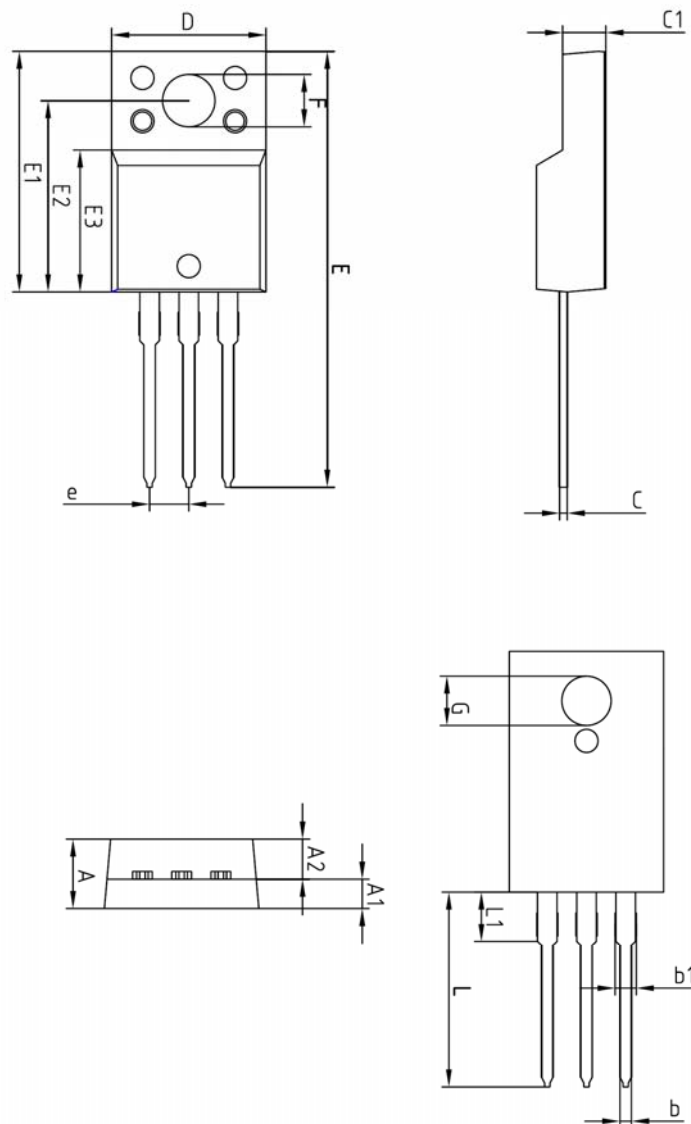


Fig. 14 Diode Reverse Recovery Time Test Circuit & Waveform



## Outline Dimension

unit: mm



SYMBOL	MILLIMETERS			NOTE
	MINIMUM	NOMINAL	MAXIMUM	
A	-	-	4.60	
A1	2.45	2.50	2.55	
A2	1.95	2.00	2.05	
b	0.65	0.75	0.85	
b1	1.07	1.27	1.47	
C	0.40	0.50	0.60	
C1	2.70	2.80	2.90	
D	9.90	10.00	10.10	
E	28.00	-	28.60	
E1	15.50	15.60	15.70	
E2	12.30	12.40	12.50	
E3	9.15	9.20	9.25	
F	3.30	3.40	3.50	
G	3.10	3.20	3.30	
e	2.54 BSC			
L	12.40	-	13.00	
L1	3.46 BSC			

**The AUK Corp. products are intended for the use as components in general electronic equipment (Office and communication equipment, measuring equipment, home appliance, etc.).**

**Please make sure that you consult with us before you use these AUK Corp. products in equipments which require high quality and / or reliability, and in equipments which could have major impact to the welfare of human life(atomic energy control, airplane, spaceship, transportation, combustion control, all types of safety device, etc.). AUK Corp. cannot accept liability to any damage which may occur in case these AUK Corp. products were used in the mentioned equipments without prior consultation with AUK Corp..**

**Specifications mentioned in this publication are subject to change without notice.**